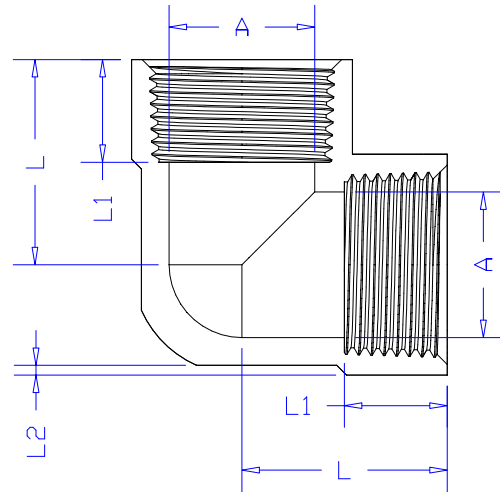
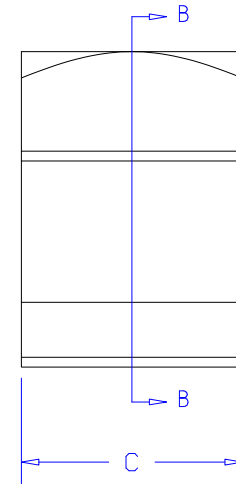


MATERIAL:	BRASS
SURFACE:	PLAIN FINISH



VIEW: B-B



	A	C	L	L1	L2
100-N1	1/8-27NPT	0.55"	0.59"	0.37"	0.06"
100-N2	1/4-18NPT	0.71"	0.73"	0.44"	0.06"
100-N3	3/8-18NPT	0.85"	0.80"	0.45"	0.06"
100-N4	1/2-14NPT	1.02"	0.98"	0.57"	0.08"
100-N5	3/4-14NPT	1.24"	1.16"	.62"	0.08"

INCHES
UNLESS OTHERWISE SPECIFIED
 DO NOT SCALE DRAWING.
 ALL DIMENSIONS ARE IN INCHES
 ALL TWO PLACE DECIMAL DIMENSIONS ± 0.05
 REMOVE ALL BURRS AND SHARP CORNERS.