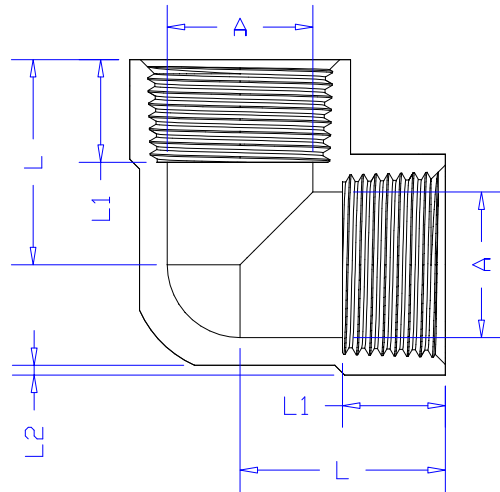
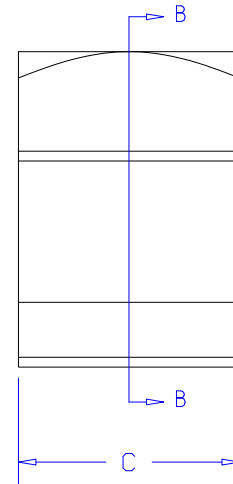


| | |
|-----------|--------------|
| MATERIAL: | BRASS |
| SURFACE: | PLAIN FINISH |



VIEW: B-B



| | A | C | L | L1 | L2 |
|--------|-----------|-------|-------|-------|------|
| 100-N1 | 1/8-27NPT | 14.00 | 15.00 | 9.50 | 1.50 |
| 100-N2 | 1/4-18NPT | 18.00 | 18.50 | 11.10 | 1.50 |
| 100-N3 | 3/8-18NPT | 21.50 | 20.25 | 11.50 | 1.50 |
| 100-N4 | 1/2-14NPT | 26.00 | 25.00 | 14.50 | 2.00 |
| 100-N5 | 3/4-14NPT | 31.50 | 29.50 | 15.80 | 2.00 |

MILLIMETERS
UNLESS OTHERWISE SPECIFIED

DO NOT SCALE DRAWING.
ALL DIMENSIONS ARE IN MILLIMETERS
ALL TWO PLACE DECIMAL DIMENSIONS ± 0.05
REMOVE ALL BURRS AND SHARP CORNERS.