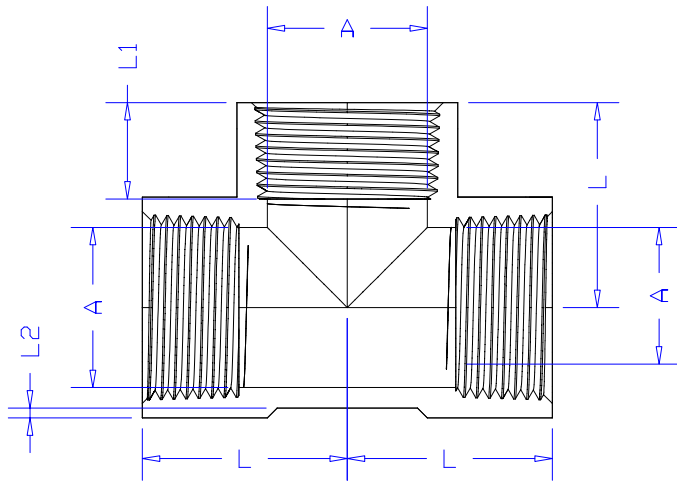
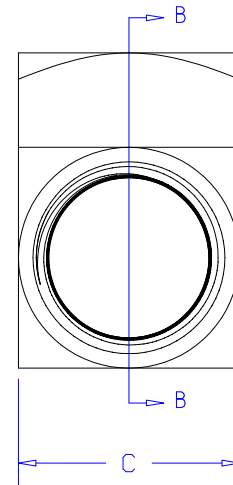


MATERIAL:	BRASS
SURFACE:	PLAIN FINISH



VIEW: B-B



**MILLIMETERS**  
 UNLESS OTHERWISE SPECIFIED  
 DO NOT SCALE DRAWING  
 ALL DIMENSIONS ARE IN MILLIMETERS  
 ALL TWO PLACE DECIMAL DIMENSIONS ± 0.05  
 REMOVE ALL BURRS AND SHARP CORNERS.

	A	C	L	L1	L2
101-N1	1/8-27NPT	14.00	14.30	9.00	1.25
101-N2	1/4-18NPT	18.00	18.50	11.10	1.70
101-N3	3/8-18NPT	21.50	21.00	11.50	1.70
101-N4	1/2-14NPT	26.00	25.00	14.50	1.70
101-N5	3/4-14NPT	31.50	29.50	15.80	2.00