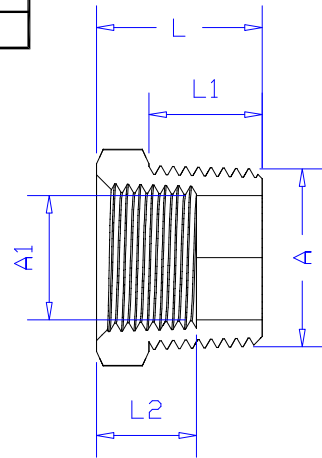
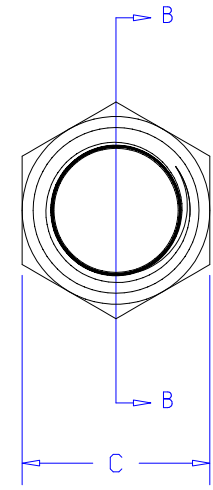


MATERIAL:	BRASS
SURFACE:	PLAIN FINISH



VIEW: B-B



	A	A1	C	L	L1	L2
110-N1-N2	1/4-18NPT	1/8-27NPT	0.56"	0.63"	0.44"	0.34"
110-N1-N3	3/8-18NPT	1/8-27NPT	0.69"	0.72"	0.52"	0.40"
110-N2-N3	3/8-18NPT	1/4-18NPT	0.69"	0.72"	0.52"	0.56"
110-N1-N4	1/2-14NPT	1/8-27NPT	0.87"	0.81"	0.56"	0.44"
110-N2-N4	1/2-14NPT	1/4-18NPT	0.87"	0.81"	0.59"	0.50"
110-N3-N4	1/2-14NPT	3/8-18NPT	0.87"	0.81"	0.56"	0.63"
110-N1-N5	3/4-14NPT	1/8-27NPT	1.06"	0.94"	0.63"	0.34"
110-N2-N5	3/4-14NPT	1/4-18NPT	1.06"	0.94"	0.62"	0.50"
110-N3-N5	3/4-14NPT	3/8-18NPT	1.06"	0.94"	0.62"	0.63"
110-N4-N5	3/4-14NPT	1/2-14NPT	1.06"	0.94"	0.62"	0.75"



INCHES
 UNLESS OTHERWISE SPECIFIED
 DO NOT SCALE DRAWING.
 ALL DIMENSIONS ARE IN INCHES
 ALL TWO PLACE DECIMAL DIMENSIONS ± 0.05
 REMOVE ALL BURRS AND SHARP CORNERS.