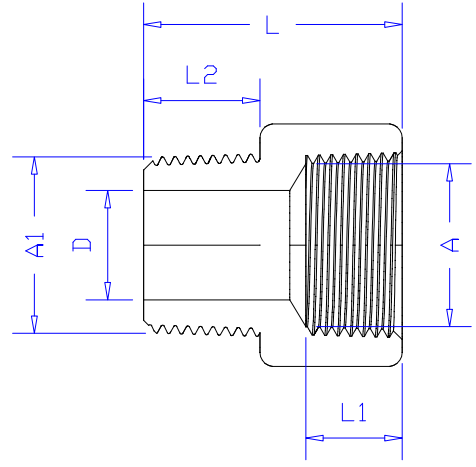
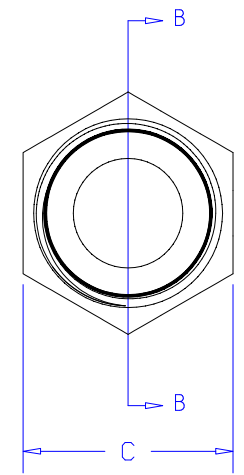


MATERIAL:	BRASS
SURFACE:	PLAIN FINISH



VIEW: B-B



	A	A1	C	L	L1	L2	D
120-N1	1/8-24NPT	1/8-27NPT	12.70	21.50	11.00	7.95	6.00
120-N1-N2	1/4-18NPT	1/8-27NPT	15.90	23.90	11.10	9.55	6.00
120-N2	1/4-18NPT	1/4-18NPT	15.90	25.40	12.00	10.50	8.70
120-N1-N3	3/8-18NPT	1/8-27NPT	19.05	25.40	12.70	9.55	6.00
120-N2-N3	3/8-18NPT	1/4-18NPT	20.65	28.45	13.50	11.10	8.70
120-N3	3/8-18NPT	3/8-18NPT	20.65	28.45	12.70	12.70	11.90
120-N2-N4	1/2-14NPT	1/4-18NPT	22.20	29.75	14.00	12.70	8.70
120-N3-N4	1/2-14NPT	3/8-18NPT	23.80	30.25	13.50	12.70	11.90
120-N4	1/2-14NPT	1/2-14NPT	23.80	32.75	15.10	15.10	15.00
120-N4-N5	3/4-14NPT	1/2-14NPT	31.75	31.00	14.30	14.30	15.00

MILLIMETERS
 UNLESS OTHERWISE SPECIFIED
 DO NOT SCALE DRAWING
 ALL DIMENSIONS ARE IN MILLIMETERS
 ALL TWO PLACE DECIMAL DIMENSIONS ± 0.05
 REMOVE ALL BURRS AND SHARP CORNERS.