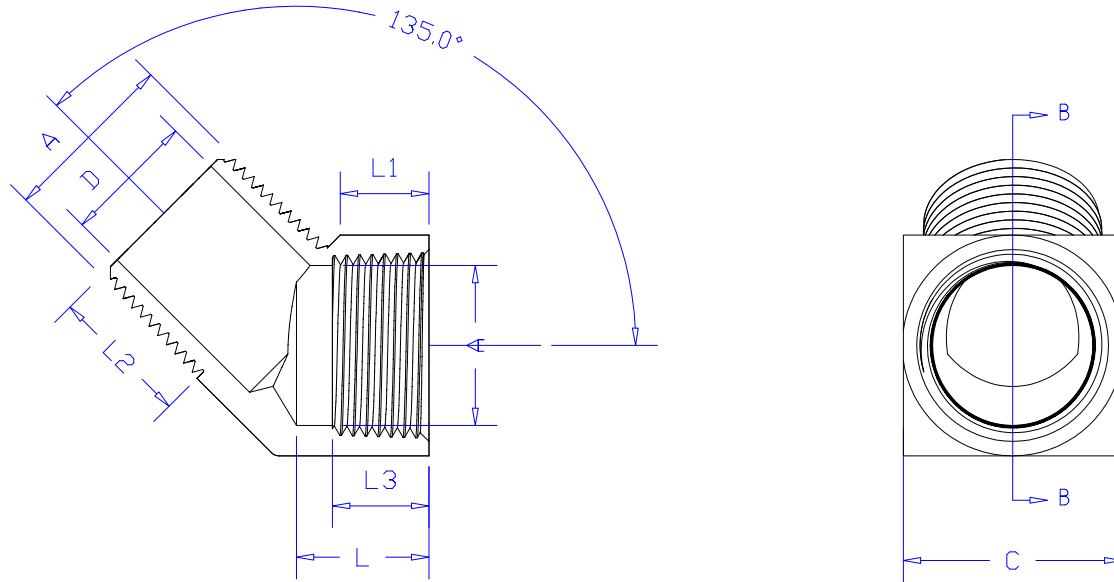


MATERIAL:	BRASS
SURFACE:	PLAIN FINISH



VIEW: B-B

	A	C	D	L	L1	L2	L3
124-N1	1/8-27NPT	14.00	5.50	10.50	8.30	9.50	9.00
124-N2	1/4-18NPT	18.00	7.50	13.00	10.80	11.10	11.10
124-N3	3/8-18NPT	21.50	10.50	13.00	10.00	11.50	11.50
124-N4	1/2-14NPT	26.00	13.70	18.00	14.30	14.50	14.50
124-N5	3/4-14NPT	31.50	19.00	20.50	15.80	15.80	15.80

MILLIMETERS
 UNLESS OTHERWISE SPECIFIED
 DO NOT SCALE DRAWING
 ALL DIMENSIONS ARE IN MILLIMETERS
 ALL TWO PLACE DECIMAL DIMENSIONS ± 0.05
 REMOVE ALL BURRS AND SHARP CORNERS.